

RADENT

WALL LAMP 700 AND 1350 MM

ENJOY YOUR NEW LAMP

RADENT Wall Lamps is crafted with our friends in China. The lamp is made by hands, so their may accour different expressions in the material and surfaces, with smaller marks and minor deviations.

TECHNICAL DATA

This product is fitted with a LED tube fitting. We recommend the following bulb specifications for your RADENT pendant lamp:

Small: 600 mm warm white LED Tube, 3000 Kelvin. Average lifespan 35.000 Hours.

Large: 1200 mm warm white LED Tube, 3000 Kelvin. Average lifespan 35.000 Hours.

The lamps are only fitted with LED tubes with electronic ballast inside the tube. Direct Driver which only provide electricity in one end.

Please remember to place the electrical end towards the cable.

NUAD will not accept any responsibility for any accidents or injuries that occur due to the use of incorrect bulbs.

ATTENTION

In some countries, electrical installation must be carried out by authorised electricians/contractors; please check with your local authority for guidance. The product must not be modified in any way. NUAD accepts no responsibility for any products that have been modified or tampered with. This lamp is designed for indoor use only.

PARTS

- 1 Lampshade
- 2 Wall mount fittings
- 3 Wall plugs - Please advise local authorids contractor regarding wall material
- 4 Screws
- 5 One LED light tube

CARE AND MAINTENANCE

The product can be cleaned with a soft damp cloth and mild detergent. Do not use alcohol or any other solvents to clean the product. Ensure that the power supply has been turned OFF before cleaning the product.

IMPORTANT

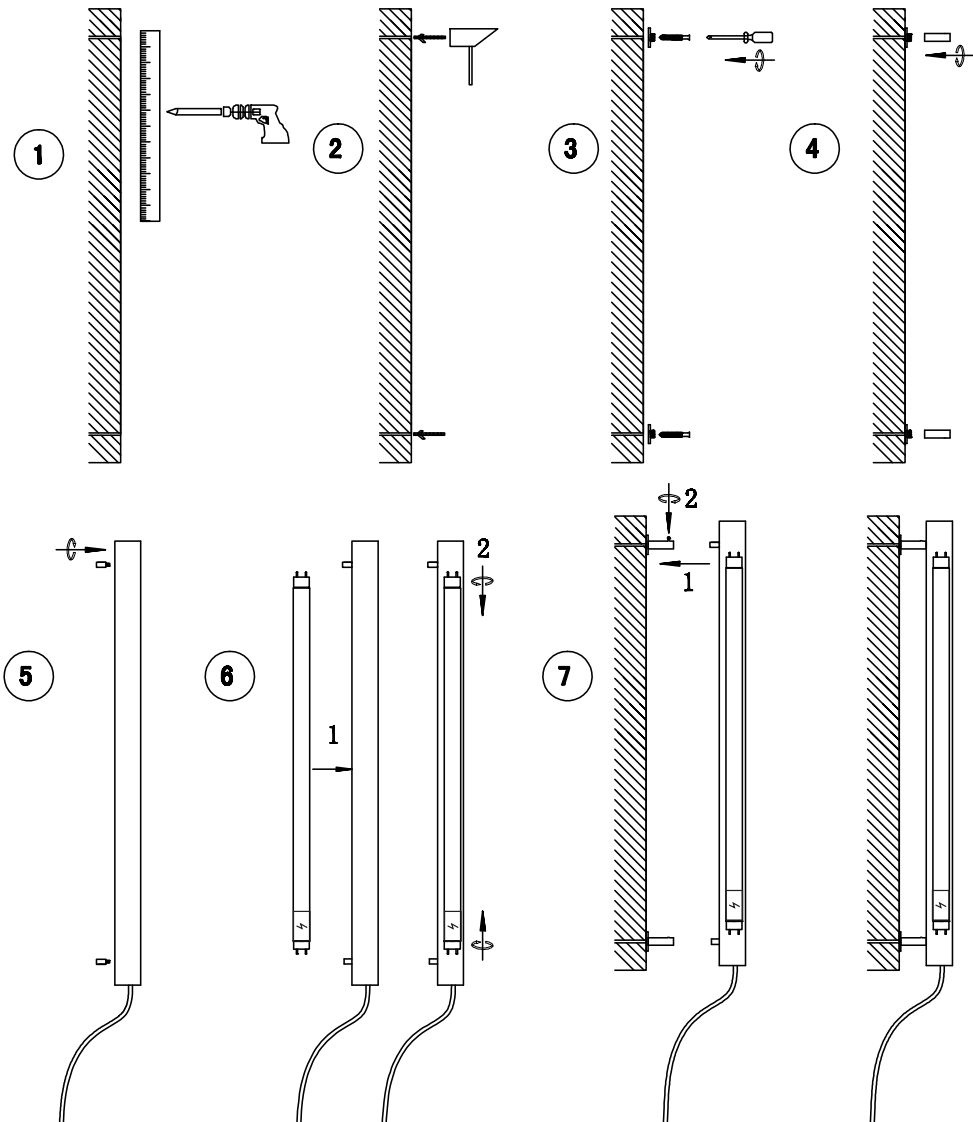
The RADENT wall lamps is designed to be used with LED direct driver (one circuet) based light sources only. Halogen or incandescent light sources should never be used, as it may cause damage to the lamp. NUAD accepts no responsibility for any damage due to the use of incorrect light sources.

INFORMATION

For other information such as product overview, material description and disclaimers - please visit our website at www.nuad.dk for further information. If you have any questions or comments, please don't hesitate to contact us at info@nuad.dk.

RADENT

WALL LAMP SMALL AND LARGE MM



TOOLS NEEDED

Wall power tool
Ruler
Screwdriver
Unbrako key
Marker

⑥

Please make sure to place the LED tube with the L and N towards the cable.

PLEASE ENJOY